



QR-25[®] Series Model 240

Parts Manual
Record of Change 105

This manual contains important safety information and must be carefully read in its entirety and understood prior to installation by all personnel who install, operate and/or maintain this product.

On-line product registration, parts ordering and warranty information is available at www.quincycompressor.com

Manual No. 2022204100

July 2014 Edition

TABLE OF CONTENTS

Serial Number Identification.....	2
Ordering Replacement Parts.....	2
Quin-Cip Lubricant.....	2
Crankcase Lubricant Capacity.....	2
Crankcase Group.....	3
Crankshaft Group.....	4
Bearing Carrier Group.....	5
Connecting Rod & Piston Group.....	6-7
Cylinder & Head Groups	
Control Version P.....	8-9
Control Versions L, LS, LVD.....	10-11
Head Assemblies	
Control Version P.....	12-13
Control Versions L, LS, LVD.....	14-15
Control Groups	
Version L.....	16
Version LS.....	17
Version LVD.....	18
Pilot Valves.....	19
Check Valve Assembly.....	19
Differential Setting Chart.....	19
Suction Valve Unloader Assemblies.....	20
Hydraulic Unloader Assembly.....	21
Gasket Set.....	21
Yearly Maintenance Kit.....	21
Piston Pin Kit.....	21
Head Kit.....	21
Overhaul Kit.....	21
Oil Pump Repair Kit.....	21
Recommended Spare Parts.....	21
Decals.....	21
Typical Unit Repair Parts List.....	22

INTRODUCTION

This manual provides information for the QR-25 Series, Model 240 (per Record of Change 105) reciprocating compressor versions:

- P** **Control Version P**
plain head assembly & no controls

- L** **Control Version L**
head assembly with 2 unloader towers & a hydraulic unloader

- LS** **Control Versions LS**
head assembly with 2 unloader towers, a hydraulic unloader, & a pilot valve with a check valve assembly

- LVD** **Control Versions LVD**
head assembly with 2 unloader towers, a hydraulic unloader, & a pilot valve with a lockout & check valve

The Model 240 is an aircooled, single stage, two cylinder, pressure lubricated compressor, with up to 100 PSIG continuous pressure capability. It has a 4" bore, with a 3" stroke. This compressor can be run at 400-900 RPM.

- Available options included in this manual:
- hooded air filter
 - hooded air filter / silencer

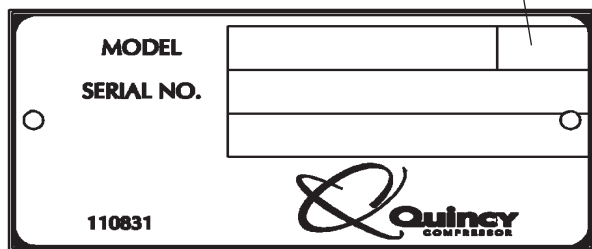
CHANGES

since previous printing dated January 2014:

The bearing carrier group was redesigned with a new oil pump including an oil filter.

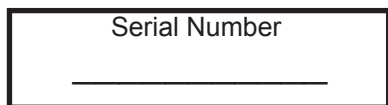
MODEL & SERIAL NUMBER IDENTIFICATION

Record of Change No.



Model & Serial Number Identification Tag

The model & unit serial number identification tag is located on the air tank top plate.



The basic compressor serial number decal is located on the bearing carrier of the basic compressor (opposite the flywheel side). *Fill in the numbers from your compressor unit and basic compressor in the corresponding spaces provided here, and reference this page when ordering replacement parts.*

All replacement parts are to be ordered through an authorized Quincy distributor. Insist on genuine Quincy parts only! Failure to do so may void warranty.

ORDERING REPLACEMENT PARTS

Prompt service can be rendered on repair parts orders if the following information is given:

- Item 1)** the model number, record of change number, & serial number.
- Item 2)** the exact part number needed. (Do not order by item numbers.)
- Item 3)** the exact quantity needed.
- Item 4)** the preferred type of transportation.

CRANKCASE LUBRICANT CAPACITY

Model	Capacity
QR 240	1 qt. & 22 oz. (1.6 lit.)

QUIN-CIP LUBRICANT

Refer to the chart below to order Quin-Cip-D or Quin-Cip compressor lubricant from your local authorized Quincy distributor.

Quin-Cip-D Lubricant (synthetic)	
SAE 30 (ISO 100)	
Quart	115468Q
Case (12 Qts.)	115438C
Quin-Cip Lubricant	
SAE 10W (ISO 32)	
Quart	112541Q032
Case (12 Qts.)	112541C032
SAE 20 (ISO 68)	
Quart	112542Q068
Case (12 Qts.)	112542C068
SAE 30 (ISO 100)	
Quart	112543Q100
Case (12 Qts.)	112543C100

CAUTION !
Refer to the QR-25 Series Instruction Manual for vital lubrication information.

WARNING !
Follow all safety precautions outlined in the Quincy QR-25 Series instruction manual.

CAUTION !
Do not operate this compressor without a totally enclosed belt guard or any other required safety equipment.

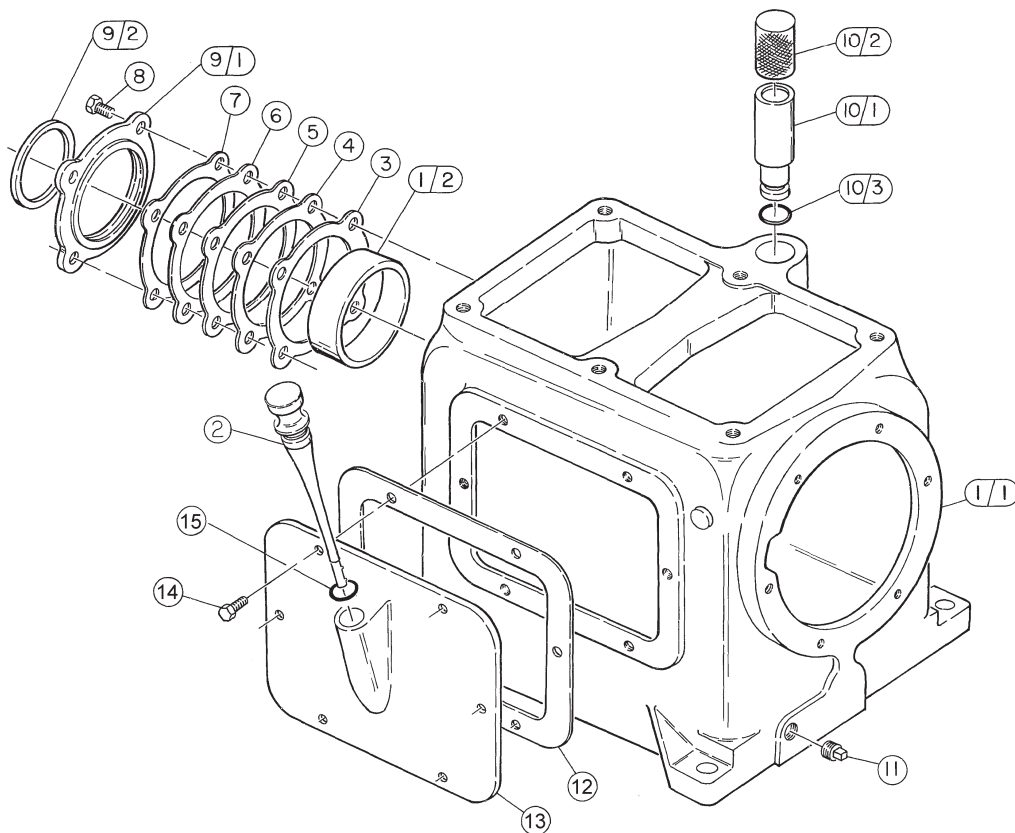
DANGER !
Air used for breathing or food processing must meet OSHA1910.134 or FDA21 CFR 178.3570 regulations. Failure to do so may cause severe injury or death.

CRANKCASE GROUP 2021026601

Item Number	Qty.	Part Number	Description
1	1	5503X003	crankcase assembly
1.1	1	5503-003	crankcase
1.2	1	2720	bearing cup
2	1	110070-3	oil gauge
3	*	6294	bearing adj. shim, .005 steel
4	*	6294A	bearing adj. shim, .007 steel
5	*	6294B	bearing adj. shim, .020 steel
6	*	6294C	bearing adj. shim, .005 paper
7	*	6294D	bearing adj. shim, .002 steel
8	4	123478-L10	hex. screw, 3/8-16 unc x .75, grade 5 (@ 30 ft.-lbs.)
9	1	5506X1	bearing adjustment plate assembly
9.1	1	5506	adjustment plate
9.2	1	6316	oil seal
10	1	110096	breather assembly
10.1	1	110094	body, breather
10.2	1	110095	filter, breather
10.3	1	123157-115	"o"ring
11	1	1301	pipe plug, 3/8 npt
12	1	1840	gasket, inspection plate
13	1	2322	inspection plate
14	6	123478-K12	hex. screw, 5/16-18 unc x 1.00, grade 5 (@ 12 ft.-lbs.)
15	1	123157-112	"o"ring, 3/32 wide x .69 o.d.
Parts for use with diester or phosphate ester synthetic based lubricants			
15	1	22749-112	"o"ring, 3/32 wide x .69 o.d.
9.2	1	6316-001	oil seal
10.3	1	22749-115	"o"ring

* Quantity as required

@ Indicates torque value (dry threads)



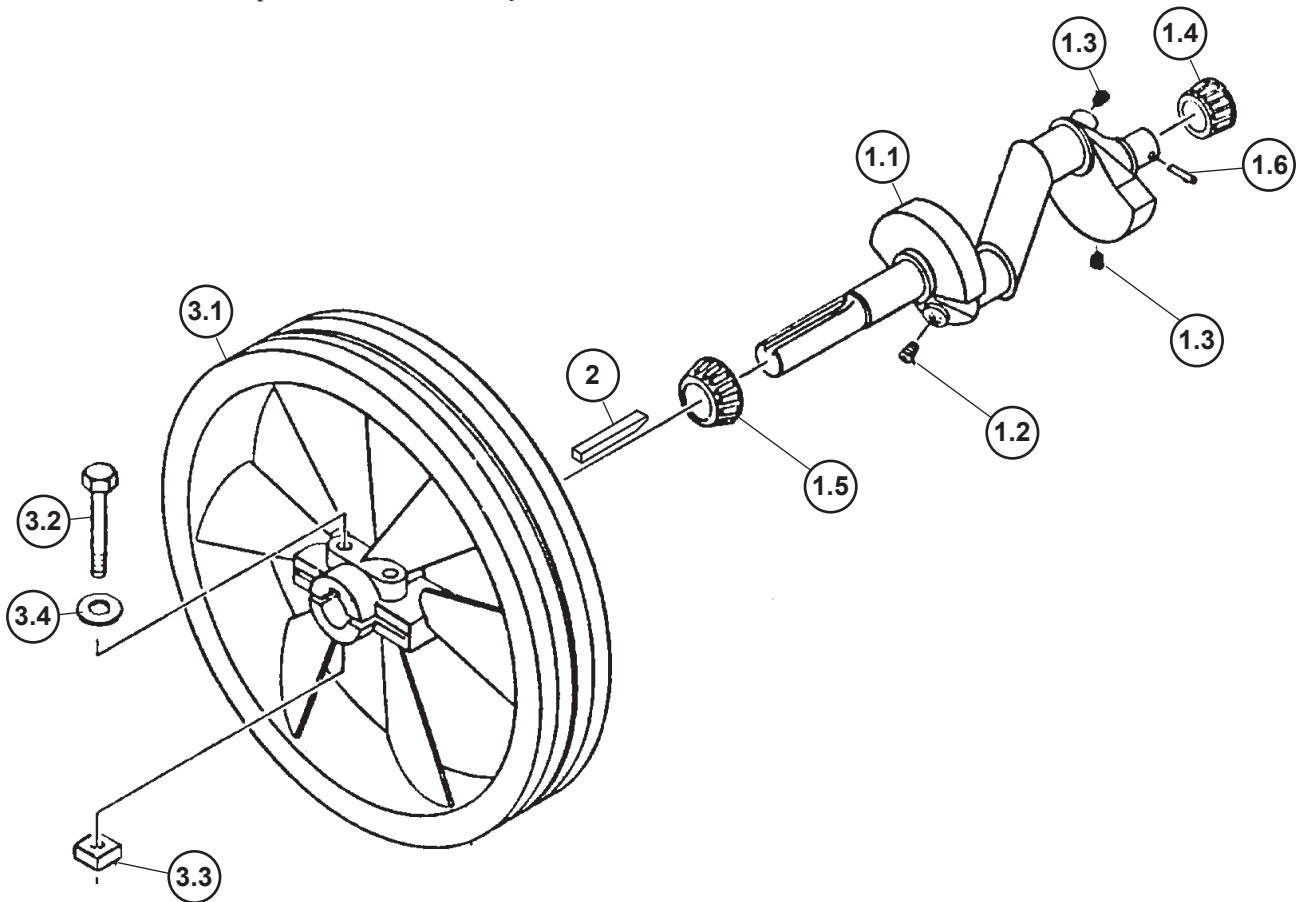
CRANKSHAFT GROUP 110238

Item Number	Qty.	Part Number	Description
1	1	110217	crankshaft assembly
1.1	1	110216	crankshaft (N.S.S.; order 110217)
1.2	1	110234	orifice, 1/8 npt
1.3	2	2755S	pipe plug, 1/8 npt
1.4	1	2585	bearing cone
1.5	1	2788	bearing cone
1.6	1	110705-F15	pin
2	1	1466	key
3	1	110472X	sheave assembly (counterclockwise rotation)
3.1	1	4126R	sheave, 16", 2 groove, B sect., ccw (N.S.S.; order 110472X)
3.2	2	110983-N22	hex. screw, 1/2-13 unc x 3.25, grade 8 (@ 90 ft.-lbs.)
3.3	2	116124-N02	square nut, 1/2-13 unc
3.4	2	110428N050	flatwasher, 1/2
	OR		
3	1	110473X	sheave assembly (clockwise rotation)
3.1	1	5058R	sheave, 16", 2 groove, B sect., cw (N.S.S.; order 110473X)
3.2	2	110983-N23	hex. screw, 1/2-13 unc x 3.50, grade 8 (@ 90 ft.-lbs.)
3.3	2	116124-N02	square nut, 1/2-13 unc
3.4	2	110428N050	flatwasher, 1/2

N.S.S. = Not Sold Separate

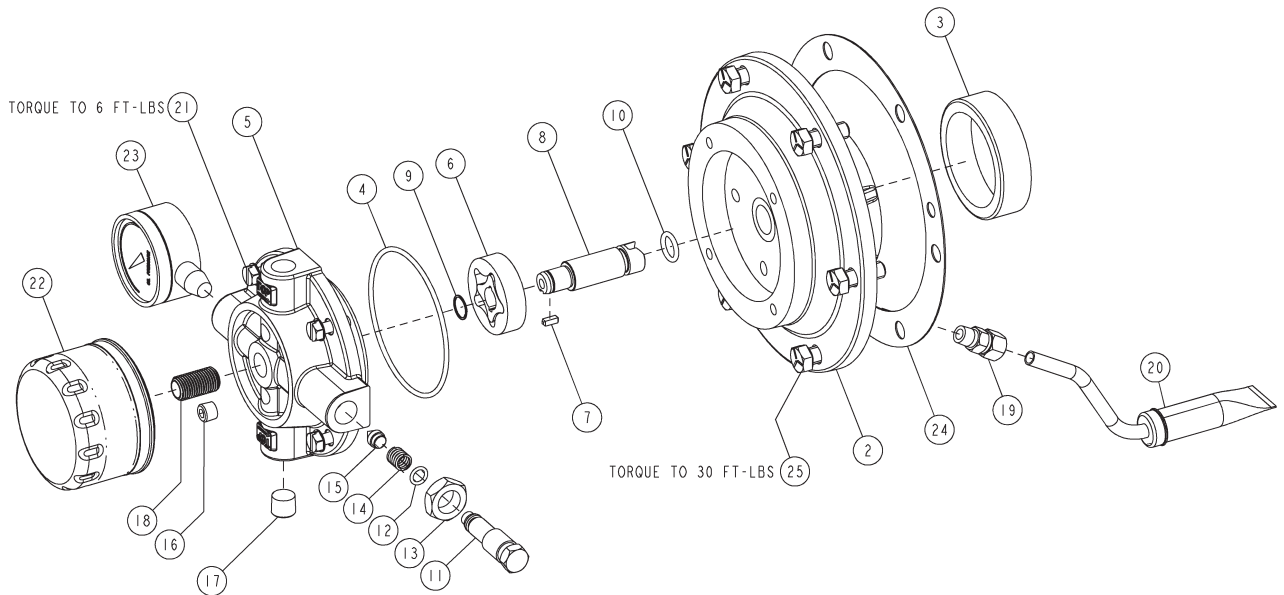
@ Indicates torque value (dry threads)

Note: For reversal of compressor rotation refer to QR-25 instruction manual.



BEARING CARRIER GROUP 2024400060

(with oil filter)

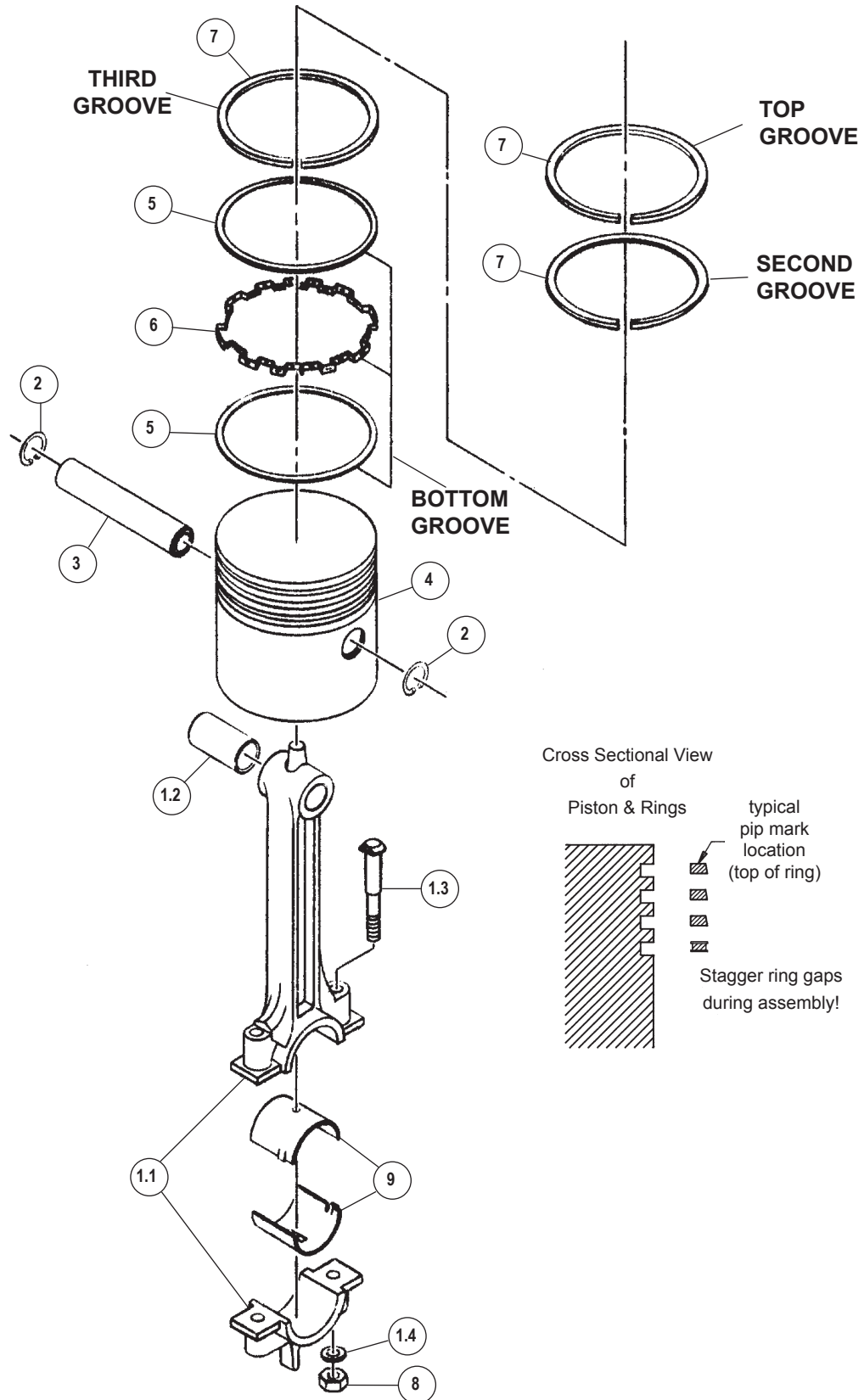


2024400060 BEARING CARRIER GROUP			
ITEM	PART NUMBER	QTY	DESCRIPTION
1	2024400050	1	BEARING CARRIER ASSEMBLY (N.S.S. - ORDER KIT)
2	2024400001	1	BEARING CARRIER
3	2523	1	BEARING CUP
4	22749-152	1	O-RING, VITON
5	2024400601	1	OIL PUMP HOUSING
6	160003	1	OIL PUMP
7	160075-001	1	KEY
8	2024200202	1	OIL PUMP DRIVESHAFT
9	6285	1	RETAINING RING
10	22749-112	1	O-RING, VITON
11	5489	1	ADJUSTMENT SCREW
12	22749-011	1	O-RING, VITON
13	124369-P02	1	JAM NUT
14	1160	1	SPRING
15	112857	1	NEEDLE VALVE
16	2755S	1	PIPE PLUG, 1/8 NPT
* 17	2719	1	PIPE PLUG, 1/4 NPT
** 18	2023400200	1	FILTER STUD
*** 19	2023200108	1	TUBE FITTING, CONNECTOR, 5/16 TUBE X 1/8 NPT
20	2023400002	1	OIL PICKUP TUBE WITH SCREEN
21	123777-J10	4	MACHINE SCREW
22	2023400100	1	OIL FILTER
* 23	110822	1	OIL PRESSURE GAUGE
24	6312	1	BEARING CARRIER GASKET
25	142578-L12	6	CAP SCREW, 3/8-16x1.00, GRADE 5
MAINTENANCE PARTS			
	2023400101		10 PACK OF OIL FILTERS
REPLACEMENT KITS			
	2024400080		BEARING CARRIER ASSEMBLY REPLACEMENT KIT INCLUDES BEARING CARRIER ASSEMBLY, FILTER, GAUGE, AND GASKET

- * INSTALL WITH PIPE SEALANT
- ** INSTALL WITH RETAINING COMPOUND
- *** INSTALL WITH PIPE SEALANT ON NPT & THREADLOCKER ON NUT
- N.S.S. = NOT SOLD SEPARATE
- TORQUE VALUES ARE FOR DRY THREADS. TIGHTEN MULTIPLE BOLTS, CAPSCREWS, AND HEX NUTS IN A CRISS-CROSS PATTERN. BRING EACH FASTENER TO THE RECOMMENDED TORQUE SPECIFICATION IN EVEN INCREMENTS.

CONNECTING ROD & PISTON GROUP 110670

(2 required per compressor)



CONNECTING ROD & PISTON GROUP 110670

(2 required per compressor)

Item Number	Qty.	Part Number	Description
1	1	40139	connecting rod assembly (N.S.S.; see maintenance parts)
1.1	1	6442C	connecting rod (N.S.S.; see maintenance parts)
1.2	1	6443	connecting rod bushing (N.S.S.; order 6443SR)
1.3	2	3493	connecting rod bolt
1.4	2	1836	washer
2	2	8648	retaining ring
3	1	110190-017	pin
4	1	1275-001	piston
5	2	6591	rail
6	1	6590	expander
7	3	1464	piston ring
8	2	124471-L08	locknut, 3/8-24 unf (@ 35 ft.-lbs.)
9	2	6444	connecting rod insert (N.S.S.; see maintenance parts)
Maintenance Parts			
1.2	1	6443SR	replacement connecting rod bushing
	1	1275-011	piston (.010 oversize)
	1	1275-021	piston (.020 oversize)
	1	6586A	Ring Set
	1	4432-010	Ring Set (.010 oversize, light blue)
	1	4432-020	Ring Set (.020 oversize, yellow)
*	1	6444PR	inserts, connecting rod (1 pair, standard size)
*	1	6444-010PR	inserts, connecting rod (1 pair, .010 undersize)
		1275X001	Replacement Piston Assembly (standard) includes piston pin, ring set & retaining ring
		1275X011	Replacement Piston Assembly (.010 oversize) includes piston pin, ring set & retaining ring
		1275X021	Replacement Piston Assembly (.020 oversize) includes piston pin, ring set & retaining ring
		6442X	Replacement Connecting Rod Assembly (standard) includes connecting rod assembly, connecting rod inserts & locknuts
		6442XUS	Connecting Rod Assembly (.010 undersize) includes connecting rod assembly, connecting rod inserts & locknuts

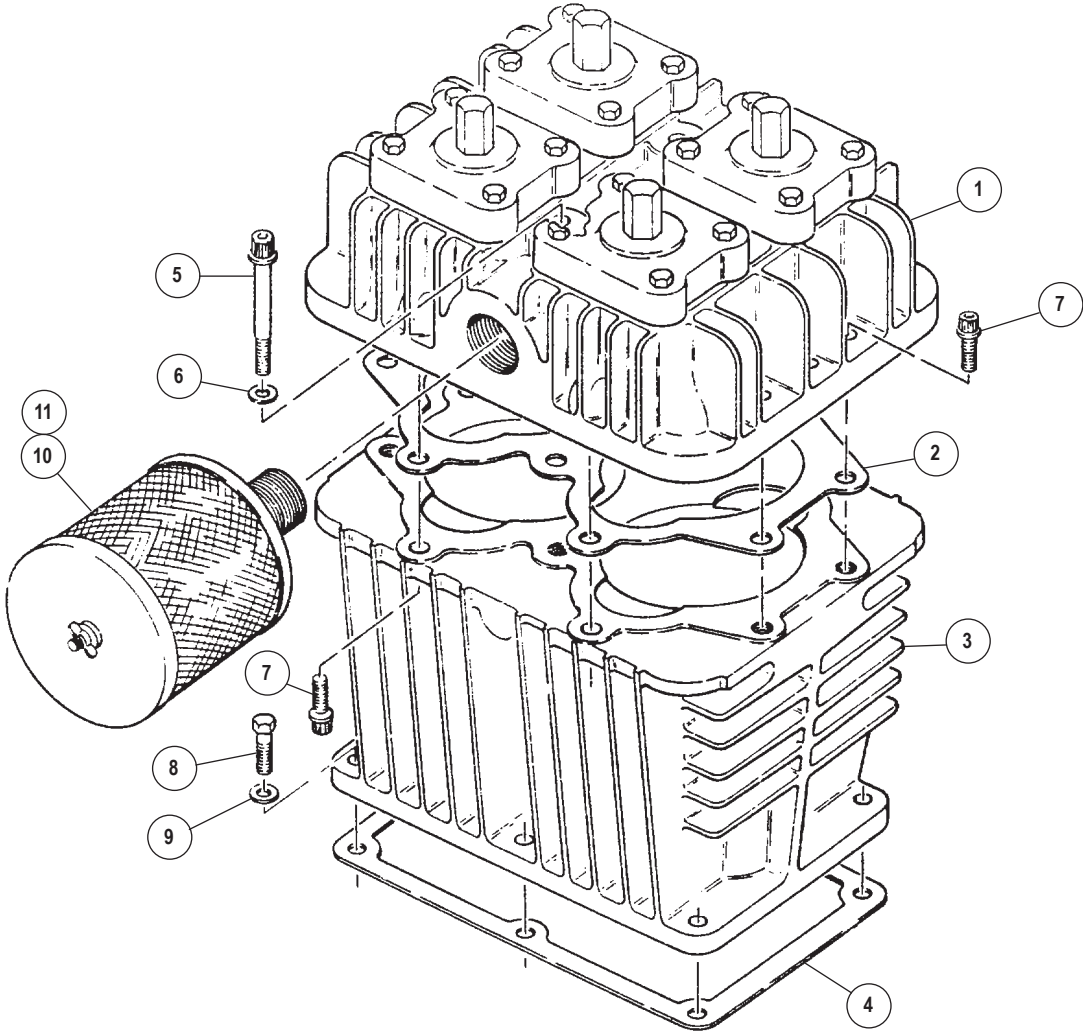
N.S.S. = Not Sold Separate

@ Indicates torque value (dry threads). Tighten multiple bolts, capscrews & hex nuts in a criss-cross or alternating pattern. Bring each fastener to the recommended torque specification in even increments.

* 1 pair required for each connecting rod assembly.

CYLINDER & HEAD GROUP 110674

(control version P)



CYLINDER & HEAD GROUP 110674

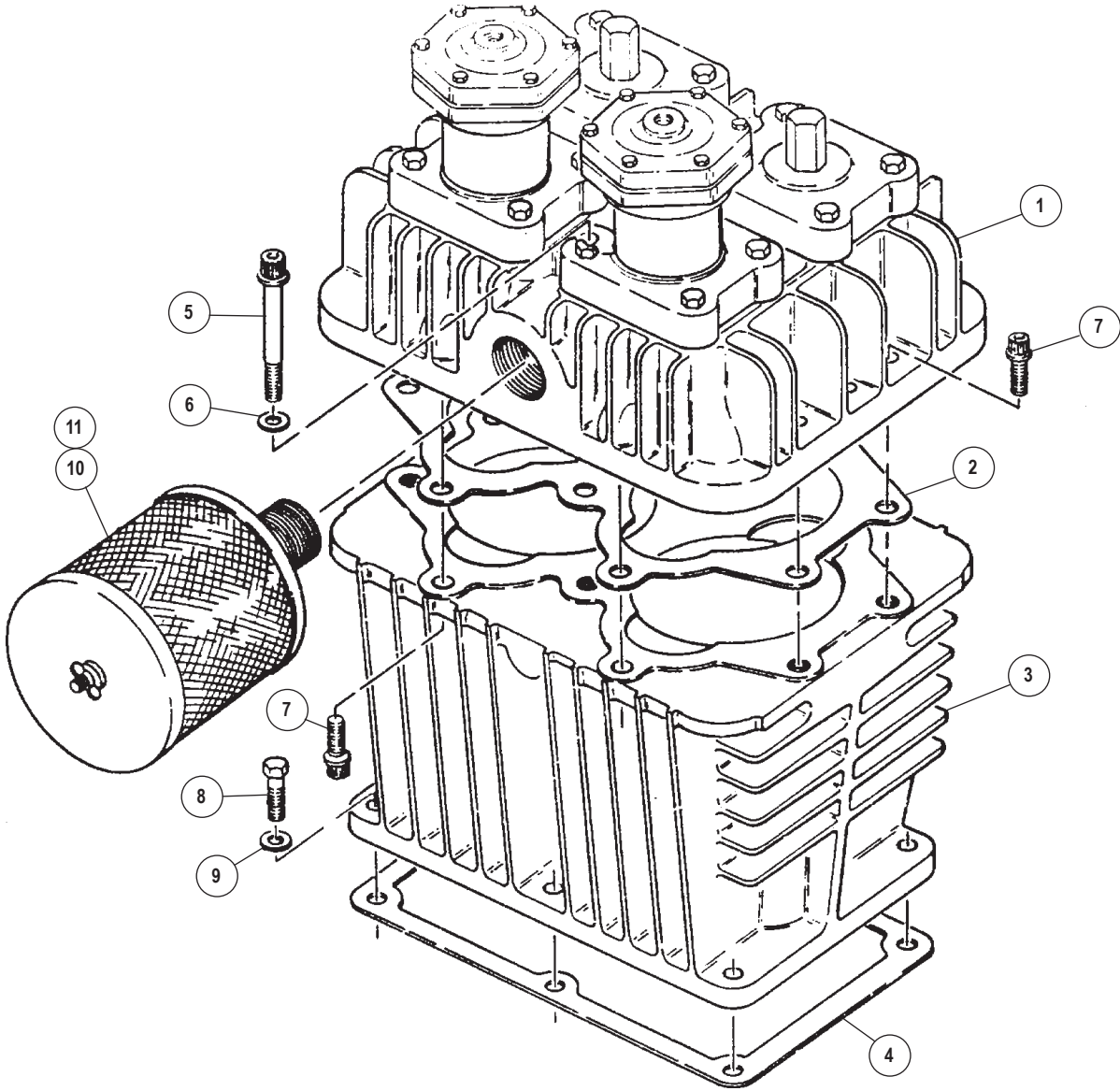
(control version P)

Item Number	Qty.	Part Number	Description
1	1	7887P	head assembly
	OR		
1	1	7887P-002	head assembly (for pump priming applications)
2	1	6335	gasket, cylinder head
3	1	7889	cylinder
4	1	1833	gasket, cylinder to crankcase
5	2	90386-M24	screw, counterbore, 7/16-14 unc x 3.75, grade 8 (@ 50 ft.-lbs.)
6	2	6334-1	washer
7	8	90386-M14	screw, counterbore, 7/16-14 unc x 1.25, grade 8 (@ 50 ft.-lbs.)
8	6	123478-L14	hex. screw, 3/8-16 unc x 1.25, grade 5 (@ 30 ft.-lbs.)
9	6	123115-06C	lockwasher, 3/8
10	1	110377F125	air filter
	or		
10	1	110377S125	hooded air filter/silencer
Maintenance Parts			
11	1	110377E100	air filter element, (fits 110377F100 & 110377S100 filter)
	1	7887X1P	Head Assembly includes head gasket & head assembly
	OR		
	1	7887X2P	Head Assembly (for pump priming applications) includes head gasket & head assembly

@ Indicates torque value (dry threads). Tighten multiple bolts, capscrews & hex nuts in a criss-cross or alternating pattern. Bring each fastener to the recommended torque specification in even increments.

CYLINDER & HEAD GROUP 110676

(control versions L, LS & LVD)



CYLINDER & HEAD GROUP 110676

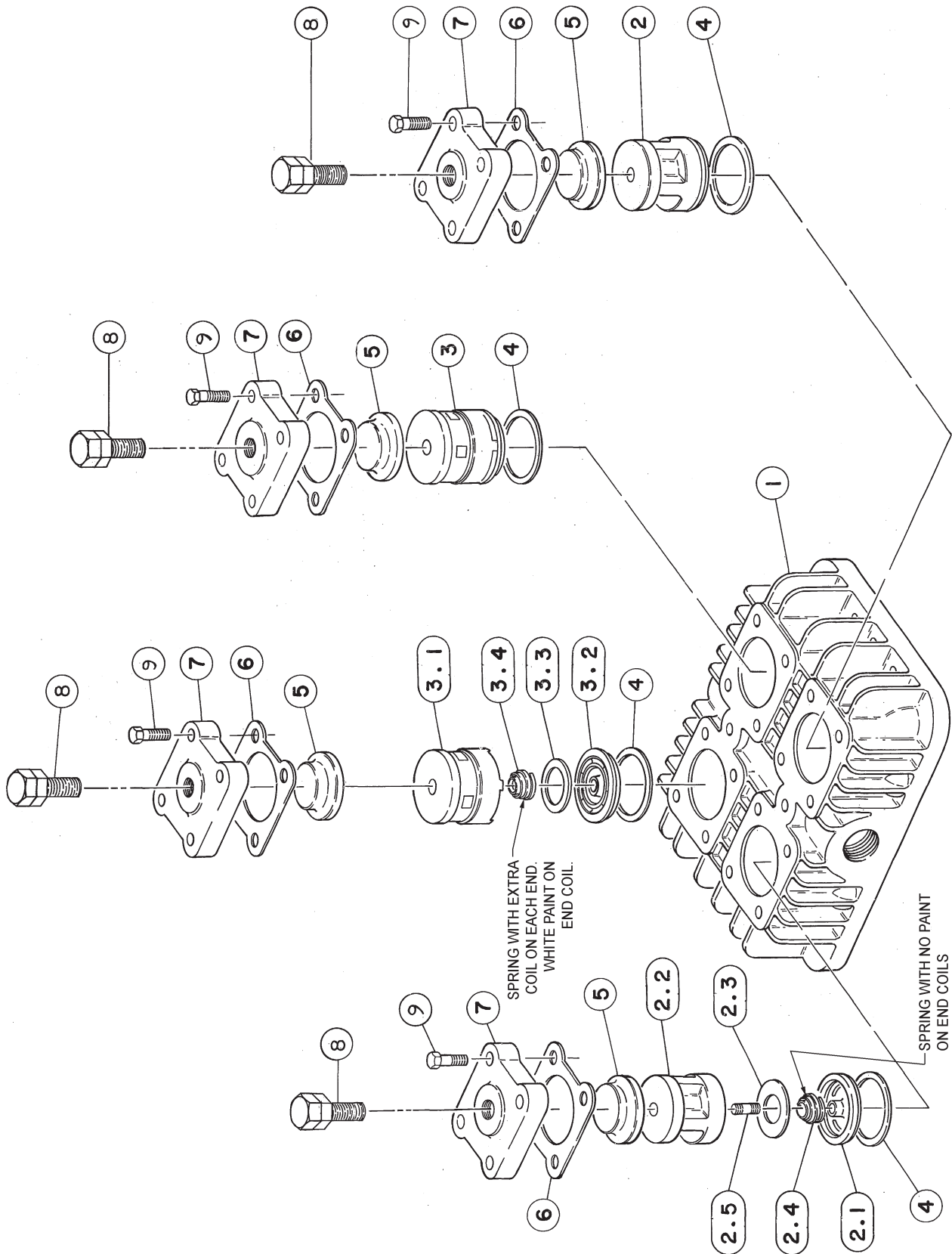
(control versions L, LS & LVD)

Item Number	Qty.	Part Number	Description
1	1	7887UU	head assembly
2	1	6335	gasket, cylinder head
3	1	7889	cylinder
4	1	1833	gasket, cylinder to crankcase
5	2	90386-M24	counterbore screw, 7/16-14 unc x 3.75, grade 8 (@ 50 ft.-lbs.)
6	2	6334-1	washer
7	8	90386-M14	counterbore screw, 7/16-14 unc x 1.25, grade 8 (@ 50 ft.-lbs.)
8	6	123478-L14	hex. screw, 3/8-16 unc x 1.25, grade 5 (@ 30 ft.-lbs.)
9	6	123115-06C	lockwasher, 3/8
10	1	110377F125	air filter
	or		
10	1	110377S125	hooded air filter/silencer
Maintenance Parts			
11	1	110377E100	air filter element, (fits 110377F100 & 110377S100 filter)
	1	7887X1L	Replace Head Assembly includes head assembly, copper tube, tube fitting, tee fitting, & cylinder head gasket

@ Indicates torque value (dry threads). Tighten multiple bolts, capscrews & hex nuts in a criss-cross or alternating pattern. Bring each fastener to the recommended torque specification in even increments.

HEAD ASSEMBLY 7887P

(control version P)



HEAD ASSEMBLY 7887P

(control version P)

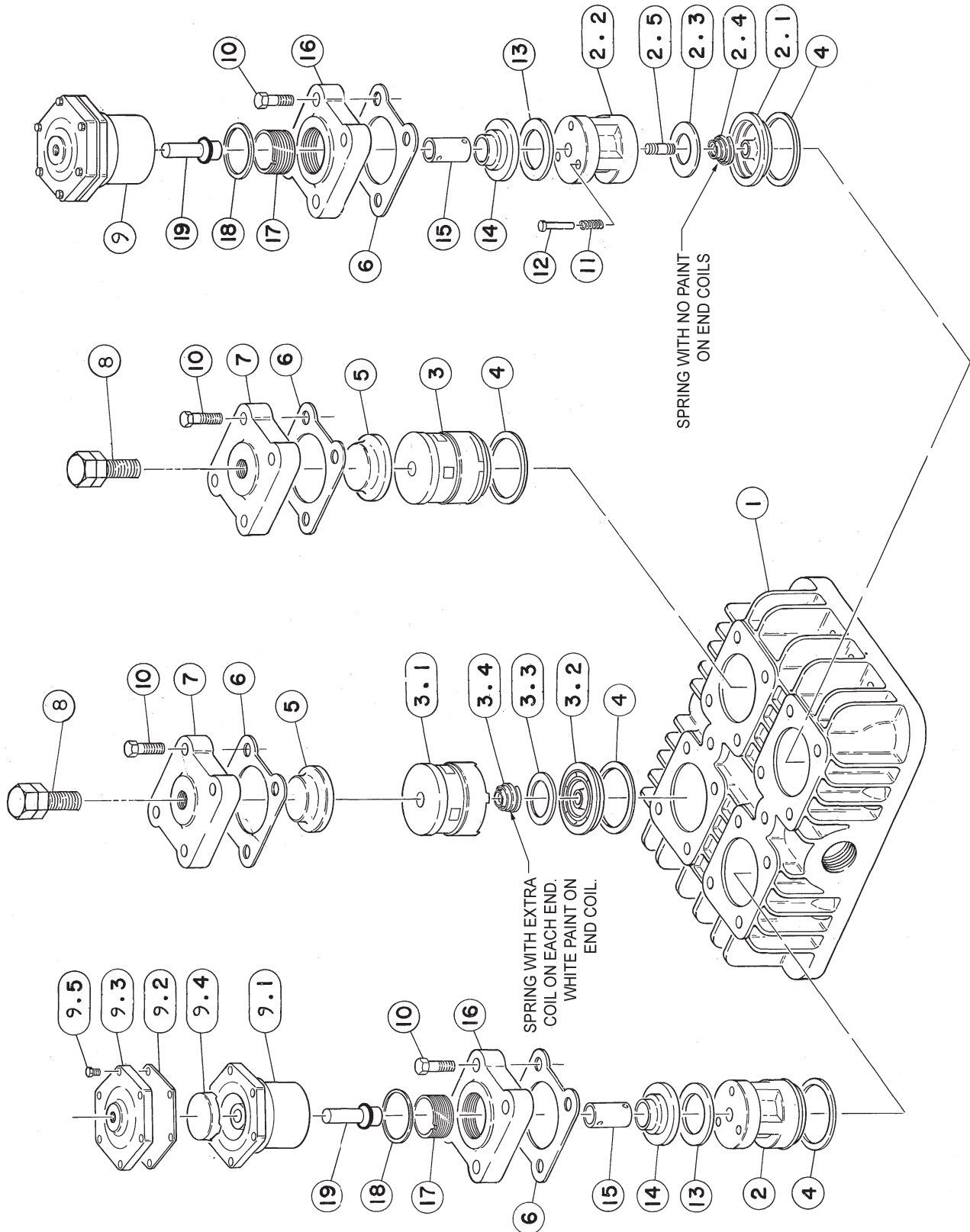
Item Number	Qty.	Part Number	Description
1	1	7887	head
2	2	7277X1	suction valve assembly
2.1	1	7277	valve bumper
2.2	1	1815	valve seat
2.3	1	1846	valve disc
2.4	1	7270	valve spring
2.5	1	1849	stud
3	2	7271X004	discharge valve assembly
3.1	1	7271-004	valve bumper
3.2	1	1819-002	valve seat
3.3	1	1846	valve disc
3.4	1	7270-2	valve spring
4	4	1848	gasket
5	4	110639	spacer
6	4	1852	gasket
7	4	5906	valve cover plate
* 8	4	114545-R15	bolt & jamnut assembly (bolt @ 60 ft.-lbs. - jamnut @ 50 ft.-lbs.)
9	16	7480	hex. screw, 7/16-14 unc x 1.38, grade 5 (@ 50 ft.-lbs.)
			Maintenance Parts
	1	7277X	Replacement Suction Valve Assembly includes suction valve assembly & valve gasket
	1	7271X04	Replacement Discharge Valve Assembly includes discharge valve assembly & valve gasket

@ Indicates torque value (dry threads). Tighten multiple bolts, capscrews & hex nuts in a criss-cross or alternating pattern. Bring each fastener to the recommended torque specification in even increments.

* Install with Loctite® 272 applied to threads.

HEAD ASSEMBLY 7887UU

(control versions L, LS & LVD)



HEAD ASSEMBLY 7887UU

(control versions L, LS & LVD)

Item Number	Qty.	Part Number	Description
1	1	7887	head
2	2	7277X1	suction valve assembly
2.1	1	7277	valve bumper
2.2	1	1815	valve seat
2.3	1	1846	valve disc
2.4	1	7270	valve spring
2.5	1	1849	stud
3	2	7271X004	discharge valve assembly
3.1	1	7271-004	valve bumper
3.2	1	1819-002	valve seat
3.3	1	1846	valve disc
3.4	1	7270-2	valve spring
4	4	1848	gasket
5	2	110639	spacer
6	4	1852	gasket
7	2	5906	valve cover plate
* 8	2	114545-R15	bolt & jamnut assembly (bolt @ 60 ft.-lbs. - jamnut @ 50 ft.-lbs.)
9	2	40192	unloader assembly (@ 75 ft.-lbs.), (N.S.S.; order 8272X)
9.1	1	8272	unloader body
9.2	1	1855	diaphragm
9.3	1	1818B	diaphragm cover plate
9.4	1	5910	diaphragm disc
9.5	6	7499	hex. screw, 1/4-20 unc x .75, grade 2 (@ 6 ft.-lbs.)
10	16	7480	hex. screw, 7/16-14 unc x 1.38, grade 5 (@ 50 ft.-lbs.)
11	6	6910	valve spring
12	6	1857	valve pin
13	2	6925	platform
14	2	6964	spacer
15	2	6965-001	pin
16	2	6928	plate
17	2	3008	holddown screw/ (@ 60 ft.-lbs.)
18	2	1556	valve gasket
19	2	7532X	unloader piston assembly

Maintenance Parts

1	7277XU	Replacement Suction Valve Assembly includes suction valve assembly, valve gasket, valve pin & unloader pin spring
1	7271X04	Discharge Valve Assembly includes discharge valve assembly & valve gasket
1	8272X	Replacement Unloader Assembly includes unloader piston assembly, unloader assembly, & valve gasket

@ Indicates torque value (dry threads). Tighten multiple bolts, capscrews & hex nuts in a criss-cross or alternating pattern. Bring each fastener to the recommended torque specification in even increments.

* Install with Loctite® 272 applied to threads.

N.S.S. = Not Sold Separately

CONTROL GROUP 110847

(control version L)

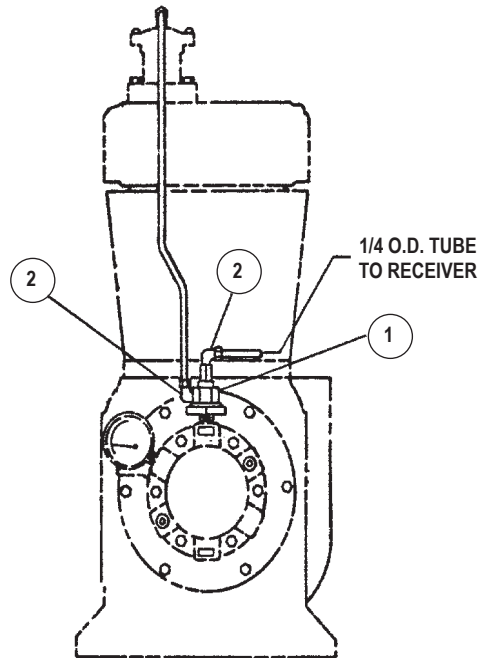
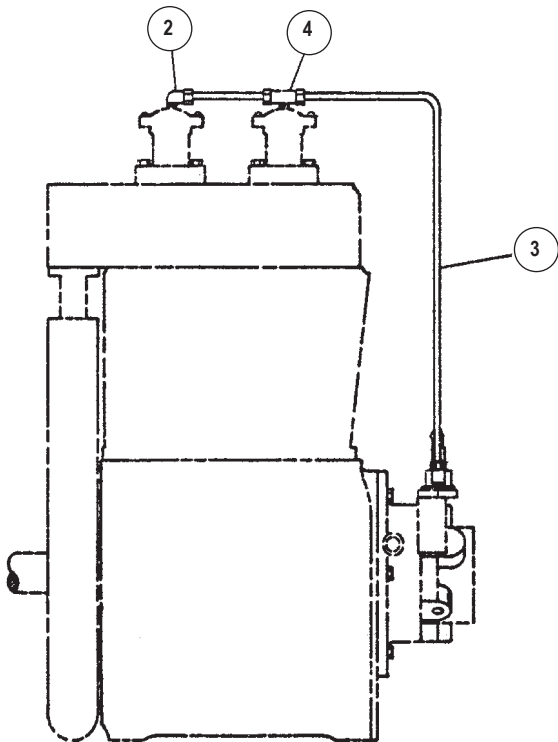
Item Number	Qty.	Part Number	Description
1	1	110827-001	hydraulic unloader assembly
2	3	1642	tube fitting, 90° male elbow, 1/4 tube x 1/8 NPT
3	3ft.	110515-025	copper tube, 1/4 o.d.
4	1	1665	tube fitting, tee, 1/4 tube x 1/4 tube x 1/8 NPT

Maintenance Parts

113225

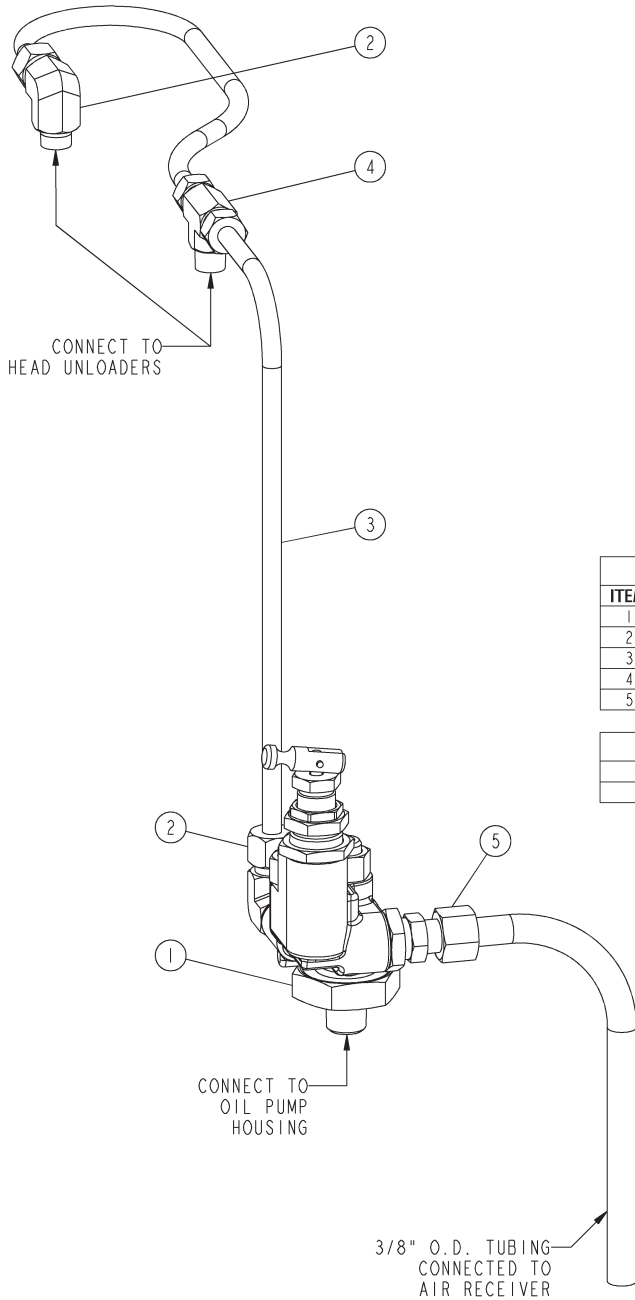
Hydraulic Unloader Repair Kit

includes diaphragm, stem assembly, inlet filter & fitting assembly, spring (0-200 PSIG) and spring (201-500 PSIG red color code, **DO NOT USE RED SPRING FOR MODEL 240**)



CONTROL GROUP 2023903354

(control version LS)



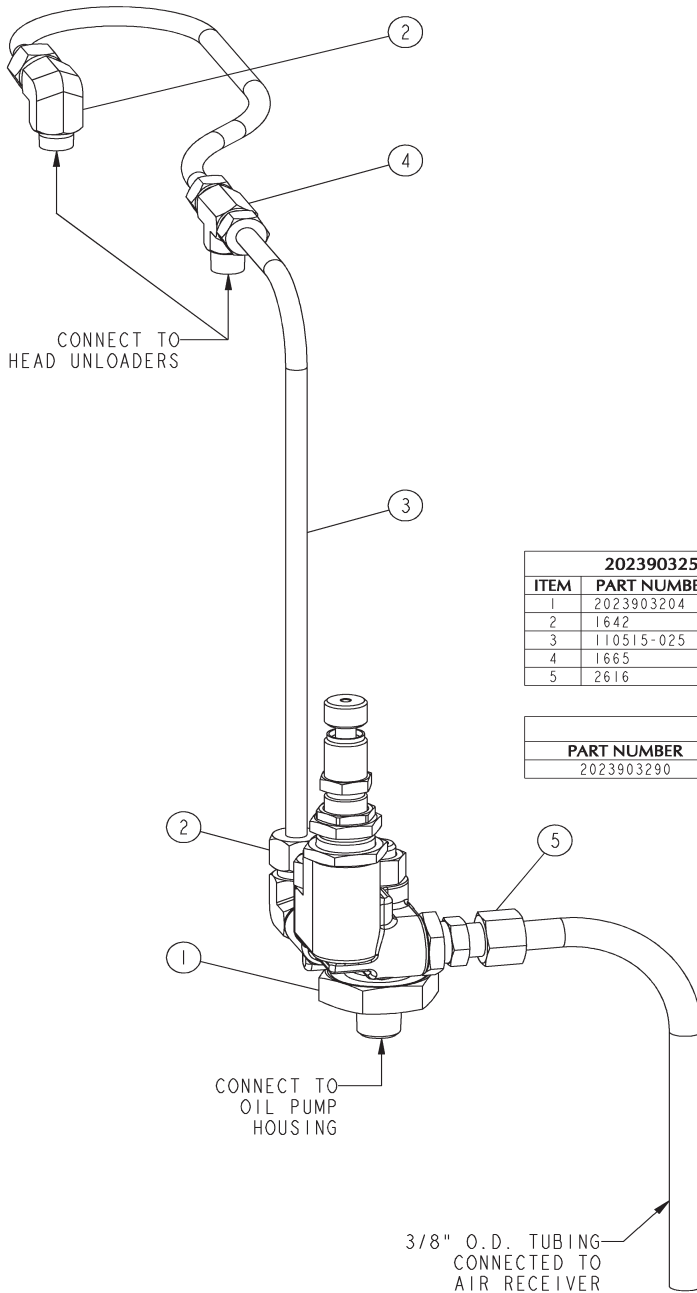
2023903354 LS CONTROL GROUP (STANDARD 90-100 PSI)			
ITEM	PART NUMBER	QTY	DESCRIPTION
1	2023903304	1	LS CONTROL VALVE, 90-100 PRESET
2	1642	2	TUBE FITTING, 90° ELBOW, 1/4T x 1/8MP
3	110515-025	1	1/4" COPPER TUBING - 5 FT.
4	1665	1	MALE BRANCH TEE 1/4T X 1/8P
5	2616	1	TUBE FITTING, STRAIGHT, 3/8 TUBE X 1/4 NPT

MAINTENANCE PARTS	
PART NUMBER	DESCRIPTION
2023903290	CONTROL VALVE INLET FILTER

* See page 19 for optional pilot valves that must be used with respective pressure ranges.

CONTROL GROUP 2023903254

(control version LVD)



2023903254 LVD CONTROL GROUP (STANDARD 85-95 PSI)			
ITEM	PART NUMBER	QTY	DESCRIPTION
1	2023903204	1	LVD CONTROL VALVE, 85-95 PRESET
2	1642	2	TUBE FITTING, 90° ELBOW, 1/4T x 1/8MP
3	110515-025	1	1/4" COPPER TUBING - 5 FT.
4	1665	1	MALE BRANCH TEE 1/4T X 1/8P
5	2616	1	TUBE FITTING, STRAIGHT, 3/8 TUBE X 1/4 NPT

MAINTENANCE PARTS	
PART NUMBER	DESCRIPTION
2023903290	CONTROL VALVE INLET FILTER

* See page 19 for optional pilot valves that must be used with respective pressure ranges.

PILOT VALVES

COMBINATION VALVES - CONTROL VERSION "LVD"							
CONTAINS THE HYDRAULIC UNLOADER, PILOT VALVE, AND CHECK VALVE IN A SINGLE PART							
	PILOT SETTINGS	QUINCY PART #	FACTORY PRE-SET:		*CUSTOMER RE-SETTABLE:		
	SEE WARNING BELOW		LOAD PRESSURE (PSI)	UNLOAD PRESSURE (PSI)	LOAD PRESSURE RANGE (PSI)	UNLOAD PRESSURE RANGE (PSI)	
	CUSTOM PRESSURE SETTING		2023903201	100	115	**	51-120
			2023903202	130	140	**	121-250
			2023903203	450	500	**	251-500
	STANDARD 1-STAGE COMPRESSOR		2023903204	85	95	**	51-120
STANDARD 2-STAGE COMPRESSOR		2023903205	155	165	**	121-250	

COMBINATION VALVES - CONTROL VERSION "LS"							
CONTAINS THE HYDRAULIC UNLOADER, PILOT VALVE, AND CHECK VALVE IN A SINGLE PART							
	PILOT SETTINGS	QUINCY PART #	FACTORY PRE-SET:		*CUSTOMER RE-SETTABLE:		
	SEE WARNING BELOW		LOAD PRESSURE (PSI)	UNLOAD PRESSURE (PSI)	LOAD PRESSURE RANGE (PSI)	UNLOAD PRESSURE RANGE (PSI)	
	CUSTOM PRESSURE SETTING		2023903301	100	110	**	51-120
			2023903302	130	140	**	121-250
			2023903303	450	500	**	251-500
	STANDARD 1-STAGE COMPRESSOR		2023903304	90	100	**	51-120
STANDARD 2-STAGE COMPRESSOR		2023903305	165	175	**	121-250	

* THE PILOT IS SUPPLIED PRESET FROM THE FACTORY. IF THE PILOT NEEDS TO BE RESET, REFER TO THE QR-25 SERIES INSTRUCTION MANUAL FOR INSTRUCTIONS.

** SEE DIFFERENTIAL SETTING CHART. LOAD PRESSURE = UNLOAD PRESSURE - DIFFERENTIAL.

DIFFERENTIAL SETTING CHART	
UNLOAD PRESSURE (PSI)	DIFFERENTIAL MIN-MAX (PSI)
51-175	10-15
175-250	15-25
251-500	25-50

WARNING!

NOT ALL PILOTS ARE FOR USE WITH ALL COMPRESSOR SYSTEMS. MAKE SURE THAT THE PILOT YOU ORDER IS SET WITHIN THE SAFE OPERATING LIMITS OF YOUR COMPRESSOR. FAILURE TO HEED THIS WARNING COULD RESULT IN AN EXPLOSION.

REFER TO THE "INTRODUCTION" SECTION OF YOUR PARTS MANUAL FOR THE SAFE OPERATING LIMITS OF YOUR COMPRESSOR.

SUCTION VALVE UNLOADER ASSEMBLIES

Description

The Quincy suction valve unloader assembly consists of unloading arrangements on the suction valves, having a plunger to contact the suction valve disc and an unloader pilot valve to automatically regulate the passing of receiver pressure to the unloading arrangement.

Application

Suction valve unloader assemblies are recommended for use on Quincy compressors where the compressor is to run continuously and a constant pressure is to be maintained. The purpose is to automatically unseat the suction valve of the compressor when the air supply is greater than the demand.

Operation

Unloading occurs when receiver pressure is sufficient to overcome pilot valve spring pressure. The check ball is then unseated, allowing receiver pressure to pass to the unloading arrangements. The compressor will run unloaded until the receiver pressure drops to a predetermined level. At this time, the action of the ball is reversed, shutting off receiver pressure to the unloader arrangement and venting the unloader to atmosphere. This allows the compressor to load. The drive, either electric motor or combustion engine, runs continuously and must be started and stopped manually.

The LS control version is equipped with a toggle lever on the pilot valve which can be flipped to provide manual unloading.

The LVD control version is designed to provide a choice between "start/stop" or "continuous run" operation. The LVD pilot valve can be set for "start/stop" operation by turning the knurled knob at the end of the pilot valve clockwise until it stops. Under these circumstances a pressure switch is required to stop the motor. Failure to use a pressure switch, with the pilot valve locked out, could result in unsafe conditions.

WARNING !

A pressure switch must be incorporated whenever an LVD pilot valve is employed as part of the control system.

The compressor will operate in the continuous run mode if the knurled knob on the LVD pilot valve is turned counterclockwise until it stops.

Installation

The pilot valve is to be connected to the air receiver using a minimum of 3/8" o.d. copper tube. Compressors in the field, not equipped with a suction valve unloader assembly, can be converted to constant speed. Consult your local Quincy distributor for assistance with conversion procedures.

Service

Periodically check the filter & screens in the inlet of the pilot valve to make sure they are free of obstructions. If they become clogged, remove and clean or replace. Inspect the "o" ring located in the opposite end of the pilot valve body for wear or damage; replace if necessary.

Adjustment

The unloading pressure is adjustable and is regulated by turning the hex nut (marked "unload adj." in cross sectional illustrations of pilot valves). Turn the hex nut clockwise to increase and counterclockwise to decrease the unloading pressure.

The differential (difference between unloading and loading pressure) is set by turning the hex nut marked "differential adjustment" in the illustrations of the pilot valves on previous pages. Increase the differential pressure by turning the hex nut clockwise - decrease by turning counterclockwise. Tighten the locknuts after adjustment.

Head Kit K240A			
Item #	Qty.	Part Number	Description
	4	1846	valve disc
	2	7270	valve spring
	2	7270-2	valve spring
	4	1848	gasket, valve
	4	1852	gasket, valve cover
	2	1556	gasket, valve
	2	1855	diaphragm
	1	6335	gasket, cylinder head
	1	110377E100	air filter element

Yearly Maintenance Kit 110516-240			
Item #	Qty.	Part Number	Description
	4	1846	valve disc
	2	1855	diaphragm
	6	1857	valve pin
	2	6283	hydraulic unloader filter
	6	6910	valve spring
	1	7127	gasket set
	2	7270	valve spring
	2	7270-2	valve spring
	1	110822	oil pressure gauge

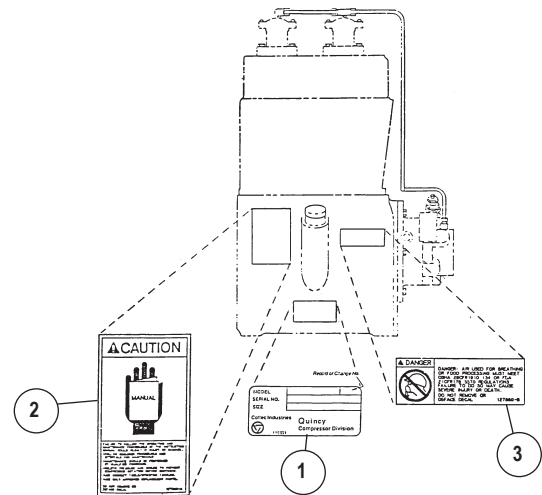
Overhaul Kit K240C			
Item #	Qty.	Part Number	Description
	2	6444PR	connecting rod inserts (1 pair, std)
	2	6586A	Ring Set
	1	7127	gasket set
	1	6316	oil seal
	2	1855	diaphragm
	1	110377E100	air filter element
	2	7270	valve spring
	2	7270-2	valve spring
	4	1846	valve disc

Oil Pump Repair Kit 2022132203			
Item #	Qty.	Part Number	Description
	1	22749-152	"o"ring
	1	22749-112	"o"ring
	1	22749-011	"o"ring
	1	160003	oil pump gerotor
	1	160075-001	key
	1	6285	retaining ring
	1	2024200202	driveshaft

Piston Pin Kit K240E			
Item #	Qty.	Part Number	Description
	1	110190-017	piston pin
	2	6443SR	replacement con-rod bushing
	2	8648	retaining ring

Gasket Set 7127			
Item #	Qty.	Part Number	Description
	2	1556	gasket, valve
	1	1833	gasket, cylinder to crankcase
	1	1840	gasket, inspection plate
	4	1848	gasket, valve
	4	1852	gasket, valve cover
	2	6294	bearing adj. shim, .005 steel
	2	6294A	bearing adj. shim, .007 steel
	1	6294B	bearing adj. shim, .020 steel
	6	6294C	bearing adj. shim, .005 paper
	2	6294D	bearing adj. shim, .002 steel
	1	6312	gasket, bearing carrier
	1	6335	gasket, cylinder head

Recommended Spare Parts			
Item #	Qty.	Part Number	Description
	1	7277XU	replacement suction valve assy
	1	7271X04	replacement discharge valve assy
	1	110822	pressure gauge
	1	2022132203	oil pump repair kit
	1	7127	gasket set
	1	2023903290	control valve inlet filter



Decals			
Item #	Qty.	Part Number	Description
	1	110831	serial number & nameplate
	2	127889-A	decal, CAUTION!, MANUAL
	3	127889-B	decal, DANGER!,"Air from this...."

TYPICAL UNIT REPAIR PARTS LIST

The parts listed here are for standard QR 240 (up to 175 PSIG) units and may or may not be applicable to custom built units. Check with your local authorized Quincy distributor for parts that can be used for custom built units. Make sure the components you order are rated within the safe operating limits of your system. If you are doubtful about which components to order, contact your local Quincy distributor.

(QR 240 simplex - horizontal tank - electric motor)

Qty	Part Number	Part Number	Description
	60 gal.	80 gal.	
1	113891-200	113268-200	tank (200 PSIG max. working pressure)
1	2713	2713	tank drain valve
1	111136-075	111136-075	ball valve
1	110514-300	110514-300	pressure gauge
1	110512-003	110512-003	pressure switch (135-175 PSIG)
1	110513-165	110513-165	pressure relief valve (165 PSIG)
3 ft.	110515-075	110515-075	discharge tube (3/4" copper tube to be formed by customer)
2	23271	23271	compression fittings
	5 h.p.		
2	110258B068		drive belt
1	110576-118		motor pulley
1	113242K001		belt guard assembly
	115/230v, 1Ø	200v, 3Ø	
1	1274661020	8099	5 h.p. motor (ODP)

! Pre-formed discharge tubes are available. Contact factory with model & tank size information.

** 230 volt only.

QUINCY COMPRESSOR

STANDARD TERMS AND CONDITIONS

LEGAL EFFECT: Except as expressly otherwise agreed to in writing by an authorized representative of Seller, the following terms and conditions shall apply to and form a part of this order and any additional and/or different terms of Buyer's purchase order or other form of acceptance are rejected in advance and shall not become a part of this order.

The rights of Buyer hereunder shall be neither assignable nor transferable except with the written consent of Seller.

This order may not be canceled or altered except with the written consent of Seller and upon terms which will indemnify Seller against all loss occasioned thereby. All additional costs incurred by Seller due to changes in design or specifications, modification of this order or revision of product must be paid for by Buyer.

In addition to the rights and remedies conferred upon Seller by this order, Seller shall have all rights and remedies conferred at law and in equity and shall not be required to proceed with the performance of this order if Buyer is in default in the performance of such order or of any other contract or order with seller.

TERMS OF PAYMENT: Unless otherwise specified in the order acknowledgment, the terms of payment shall be 1% 15, net forty-five (45) days after shipment. These terms shall apply to partial as well as complete shipments. If any proceeding be initiated by or against Buyer under any bankruptcy or insolvency law, or in the judgment of Seller the financial condition of Buyer, at the time the equipment is ready for shipment, does not justify the terms of payment specified, Seller reserves the right to require full payment in cash prior to making shipment. If such payment is not received within fifteen (15) days after notification of readiness for shipment, Seller may cancel the order as to any unshipped item and require payment of its reasonable cancellation charges.

If Buyer delays shipment, payments based on date of shipment shall become due as of the date when ready for shipment. If Buyer delays completion of manufacture, Seller may elect to require payment according to percentage of completion. Equipment held for Buyer shall be at Buyer's risk and storage charges may be applied at the discretion of Seller.

Accounts past due shall bear interest at the highest rate lawful to contract for but if there is no limit set by law, such interest shall be eighteen percent (18%). Buyer shall pay all cost and expenses, including reasonable attorney's fees, incurred in collecting the same, and no claim, except claims within Seller's warranty of material or workmanship, as stated below, will be recognized unless delivered in writing to Seller within thirty (30) days after date of shipment.

TAXES: All prices exclude present and future sales, use, occupation, license, excise, and other taxes in respect of manufacture, sales or delivery, all of which shall be paid by Buyer unless included in the purchase price at the proper rate or a proper exemption certificate is furnished.

ACCEPTANCE: All offers to purchase, quotations and contracts of sales are subject to final acceptance by an authorized representative at Seller's plant.

DELIVERY: Except as otherwise specified in this quotation, delivery will be F. O. B. point of shipment. In the absence of exact shipping instruction, Seller will use its discretion regarding best means of insured shipment. No liability will be accepted by Seller for so doing. All transportation charges are at Buyer's expense. Time of delivery is an estimate only and is based upon the receipt of all information and necessary approvals. The shipping schedule shall not be construed to limit seller in making commitments for materials or in fabricating articles under this order in accordance with Seller's normal and reasonable production schedules.

Seller shall in no event be liable for delays caused by fires, acts of God, strikes, labor difficulties, acts of governmental or military authorities, delays in transportation or procuring materials, or causes of any kind beyond Seller's control. No provision for liquidated damages for any cause shall apply under this order. Buyer shall accept delivery within thirty (30) days after receipt of notification of readiness for shipment. Claims for shortages will be deemed to have been waived if not made in writing with ten (10) days after the receipt of the material in respect of which any such shortage is claimed. Seller is not responsible for loss or damage in transit after having received "In Good Order" receipt from the carrier. All claims for loss or damage in transit should be made to the carrier.

TITLE & LIEN RIGHTS: The equipment shall remain personal property, regardless of how affixed to any realty or structure. Until the price (including any notes given therefore) of the equipment has been fully paid in cash, Seller shall, in the event of Buyer's default, have the right to repossess such equipment.

PATENT INFRINGEMENT: If properly notified and given an opportunity to do so with friendly assistance, Seller will defend Buyer and the ultimate user of the equipment from any actual or alleged infringement of any published United States patent by the equipment or any part thereof furnished pursuant hereto (other than parts of special design, construction, or manufacture specified by and originating with Buyer), and will pay all damages and costs awarded by competent court in any suit thus defended or of which it may have had notice and opportunity to defend as aforesaid.

STANDARD WARRANTY: Seller warrants that products of its own manufacture will be free from defects in workmanship and materials under normal use and service for the period specified in the product instruction manual. Warranty for service parts will be Ninety (90) days from date of factory shipment. Electric Motors, gasoline and diesel engines, electrical apparatus and all other accessories, components and parts not manufactured by Seller are warranted only to the extent of the original manufacturer's warranty.

Notice of the alleged defect must be given to the Seller, in writing with all identifying details including serial number, type of equipment and date of purchase within thirty (30) days of the discovery of the same during the warranty period.

Seller's sole obligation on this warranty shall be, at its option, to repair or replace or refund the purchase price of any product or part thereof which proves to be defective. If requested by Seller, such product or part thereof must be promptly returned to seller, freight prepaid, for inspection.

Seller warrants repaired or replaced parts of its own manufacture against defects in materials and workmanship under normal use and service for ninety (90) days or for the remainder of the warranty on the product being repaired.

This warranty shall not apply and Seller shall not be responsible or liable for:

- (a) Consequential, collateral or special losses or damages;
- (b) Equipment conditions caused by fair wear and tear, abnormal conditions of use, accident, neglect or misuse of equipment, improper storage or damage resulting during shipping;
- (c) Deviation from operating instructions, specifications or other special terms of sale;
- (d) Labor charges, loss or damage resulting from improper operation, maintenance or repairs made by person(s) other than Seller or Seller's authorized service station.

In no event shall Seller be liable for any claims whether arising from breach of contract or warranty or claims of negligence or negligent manufacture in excess of the purchase price.

THIS WARRANTY IS THE SOLE WARRANTY OF SELLERS AND ANY OTHER WARRANTIES, WHETHER EXPRESS OR IMPLIED IN LAW OR IMPLIED IN FACT, INCLUDING ANY WARRANTIES OF MERCHANTABILITY AND FITNESS FOR PARTICULAR USE ARE HEREBY SPECIFICALLY EXCLUDED.

LIABILITY LIMITATIONS: Under no circumstances shall the Seller have any liability for liquidated damages or for collateral, consequential or special damages or for loss of profits, or for actual losses or for loss of production or progress of construction, whether resulting from delays in delivery or performance, breach of warranty, negligent manufacture or otherwise.

ENVIRONMENTAL AND OSHA REQUIREMENTS: At the time of shipment of the equipment from the factory, Quincy Compressor / Ortman Fluid Power will comply with the various Federal, State and local laws and regulations concerning occupational health and safety and pollution. However, in the installation and operation of the equipment and other matters over which the seller has no control, the Seller assumes no responsibility for compliance with those laws and regulations, whether by the way of indemnity, warranty or otherwise.

June 30, 2003



Reciprocating / Systems: 217.222.7700
E-mail: info@quincycompressor.com
Website: quincycompressor.com

